

Flameproof fans for use in hazardous areas
where flammable gas or vapour is present

ATEX II 2 G Exd IIB T4 (Also IIC) Zone 1



SIZE RANGE

190mm to 760mm impeller diameter.

PERFORMANCE

Ranging from 0.09 to 5.4m³/s - full details are available on our fan selection software.

IMPELLERS

All units are fitted with Breezax anti static blades as standard. Aluminium blades can be fitted if required.

PLATES

Stainless steel or mild steel with non-sparking track. (Refer to our Sales Office for Motor Blade & Guard assemblies without plate).

MOTORS

Comply with ATEX Directive 2014/34/EU and EN60079-0, EN60079-1, & EN61241-0. Enclosure IP55 or IP56, insulation Class F. Fitted with sealed for life ball bearings.

GAS GROUPS

The standard range covers IIA and IIB gases. Fans for IIC (Hydrogen) are also available.

ELECTRICAL SUPPLY

110V - 120V 1 phase

220V - 240V 1 phase

380V - 460V 3 phase

50 or 60 Hz

MOUNTING & AIRFLOW

All units are suitable for internal or external operation at any installed angle. Airflow direction is Plan A as standard; Plan B can be supplied if required.

ANCILLARIES

Wire safety guards or louvre shutters (gravity type) available to match all sizes.

OPERATING TEMPERATURES

From -20°C to +50°C as standard; fans for operation beyond these limits are also available.

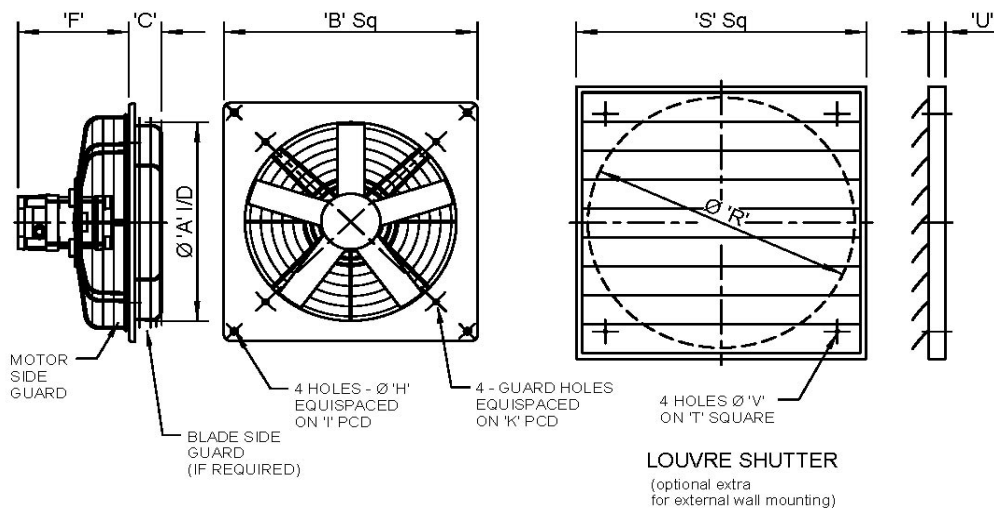
PRODUCT RANGE

- Long Cased Axial
- Bifurcated Axial
- Plate or Short Cased Axial
- Axial Impellers
- Smoke Extract
- Boxed Centrifugal
- Propeller
- Flameproof (Hazardous Area)
- Roof Mounted
- Portable

We can also design and manufacture fans to suit non standard or special applications.

Flameproof Propeller Fan - Type FLP Performance Data

Fan Ref	rpm	Airflow m ³ /s @ Static Pressure Pa							dB(A) @3m	240/1/50			415/3/50		
		0 Pa	12.5	25	37.5	50	62.5	75		Motor kW	FLC Amps	SC Amps	Motor kW	FLC Amps	SC Amps
7.5FLP 4 Pole	1400	0.12	0.01						40	0.04	0.50	1.21	0.04	0.25	0.6
7.5FLP 2 Pole	2800	0.20	0.19	0.18	0.17	0.15	0.11	0.01	54	n/a	n/a	n/a	0.15	0.80	2.84
9FLP 6 Pole	900	0.14	0.12						35	0.035	0.60	0.78	0.035	0.45	0.71
9FLP 4 Pole	1400	0.24	0.21	0.18					44	0.04	0.50	1.21	0.04	0.25	0.6
9FLP 2 Pole	2800	0.46	0.42	0.39	0.35	0.32	0.31	0.28	58	0.15	1.10	3.29	0.15	0.80	2.84
10.5FLP 6 Pole	900	0.17	0.13						38	0.035	0.60	0.78	0.035	0.45	0.71
10.5FLP 4 Pole	1400	0.36	0.34	0.24					48	0.04	0.50	1.21	0.04	0.25	0.6
10.5FLP 2 Pole	2700	0.61	0.59	0.57	0.54	0.48	0.45	0.41	62	0.3	2.10	8.14	0.3	0.70	2.53
12FLP 6 Pole	900	0.36	0.30	0.25					42	0.035	0.60	0.78	0.035	0.45	0.71
12FLP 4 Pole	1400	0.54	0.50	0.47	0.39	0.34			52	0.04	0.50	1.21	0.04	0.25	0.6
15FLP 6 Pole	900	0.68	0.64	0.53	0.45				48	0.035	0.60	0.78	0.035	0.45	0.71
15FLP 4 Pole	1400	1.01	0.99	0.94	0.88	0.78	0.71	0.61	57	0.1	1.20	1.31	0.1	0.60	1.29
18FLP 6 Pole	900	1.15	1.12	1.09	0.92	0.73			51	0.37	2.30	7.08	0.37	1.10	3.46
18FLP 4 Pole	1400	1.74	1.72	1.67	1.61	1.53	1.44	1.26	61	0.37	2.30	7.07	0.37	1.10	4.19
24FLP 8 Pole	700	2.12	1.95	1.76	1.49	1.10			54	n/a	n/a	n/a	n/a	n/a	n/a
24FLP 6 Pole	900	2.77	2.72	2.66	2.59	2.54	2.47	2.30	60	0.37	2.30	7.08	0.37	1.10	3.46



Dimensions in mm

Fan Size										Louvre Shutters				
ins	mm	A	B	C	F	H	I	K	kg	R	S	T	U	V
7.5	190	203	260	42	235	8	323	239	6	210	244	184	22	5
9	229	241	330	47	235	10	414	280	7	260	294	227	22	5
10.5	267	279	355	47	235	10	450	315	7	310	344	276	26	5
12	315	323	394	62	235	12	503	372	8	310	344	276	26	5
15	381	392	470	62	235	12	611	447	9	420	457	365	26	5
18	457	473	560	56	335	16	728	530	26	510	544	440	31	5
24	610	630	718	76	335	19	938	702	37	---	696	626	31	5
30	762	800	914	76	335	20	1207	864	---	---	840	772	40	5

The London Fan Company Ltd reserves the right to revise product specification and information without prior notice.