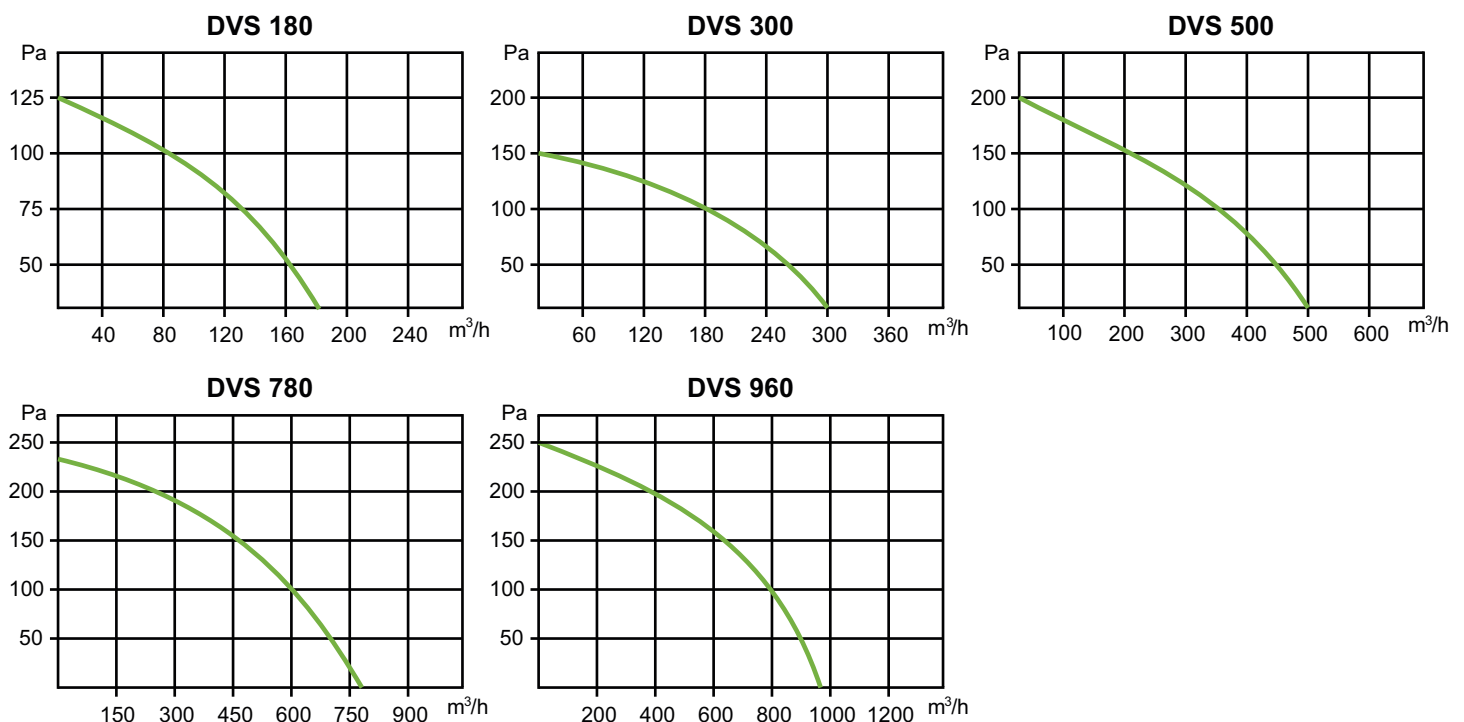


Feature

- Super low noise.
- Energy saving.
- Easy installation, service and clean.
- Compact design.
- Be able to speed controllable.
- Strong and durable.
- Light weight.
- Innovative U-shaped link for easy installation in any position.
- Can be installed directly on the wall.
- Standard motor range is protected to IP 44, class B insulation.

Performance Curve



General Information

DVS series use a silent inline fan with high quality material and exceptionally super low noise level design. The idea solution for medium demand ventilation in commercial and residential systems. Application suitable for bathroom, bedroom, office, living room, store, toilets, hotels with low noise requirements and supply or exhaust ventilation.

Construction Information

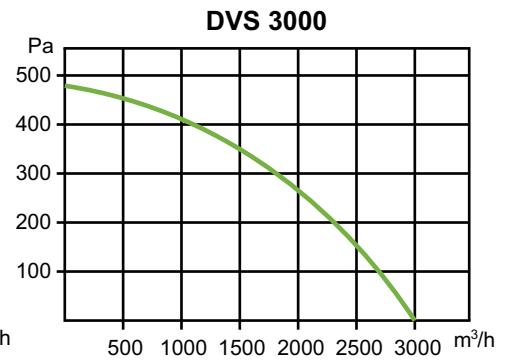
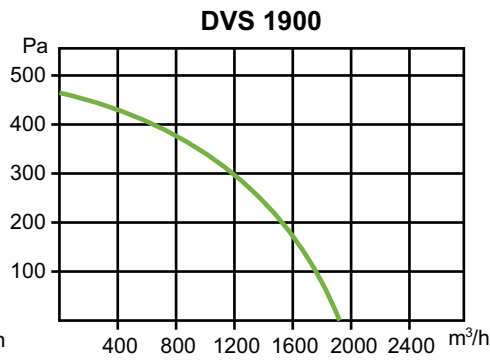
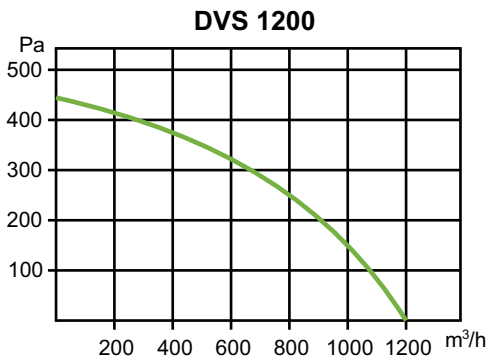
The casings are used stainless plate steel with characteristic of fire prevention and anti-corrosion.

The impeller is made in stainless steel with high energy efficiency of forward curve centrifugal impeller in favor of drastically reducing noise.

The motor is made of 100% copper coil and fitted with high quality Japan ball bearing, high efficiency, low noise, maintenance free and long service life. Equipped with thermal overload protection.

Testing

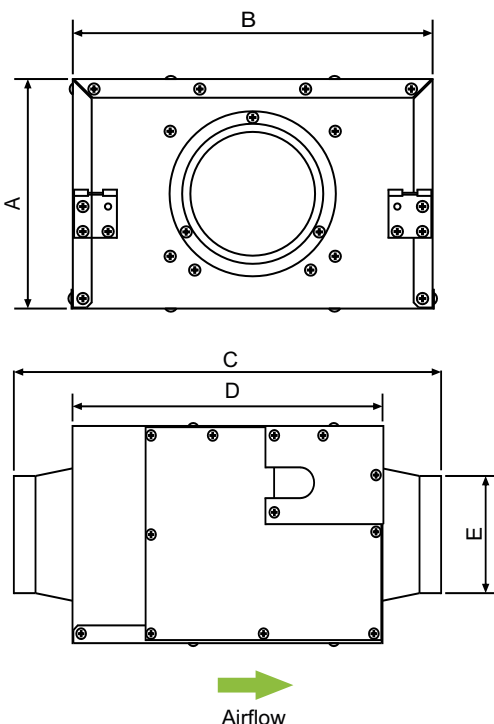
The performance has been tested in accordance with ISO 5801. The sound data has been determined by testing to ISO 13347-2. The fans have passed QCVN 04:2009/BKHCHN and TCVN 5699-2-80:2007 (IEC 60335) standard for electric safety.



Performance Parameters

Model	Max. Air Volume (m³/h)	Max. Pressure (Pa)	Power (W)	Current (A)	Speed (rpm/min)	Voltage (V/P/Hz)	Noise dBA (at 3m)
DVS 180	180	110	25	0.11	1180	220/1/50	21
DVS 300	300	115	47	0.23	1140	220/1/50	25
DVS 500	500	190	98	0.45	1360	220/1/50	28
DVS 780	780	230	155	0.72	1180	220/1/50	35
DVS 960	960	245	163	0.75	1280	220/1/50	37
DVS 1200	1200	230	185	0.84	820	220/1/50	40
DVS 1900	1900	380	385	1.75	1060	220/1/50	46
DVS 3000	3000	400	420	1.9	1280	220/1/50	49

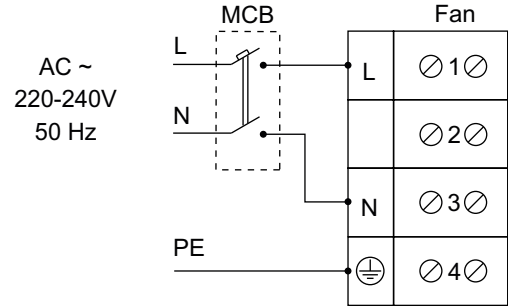
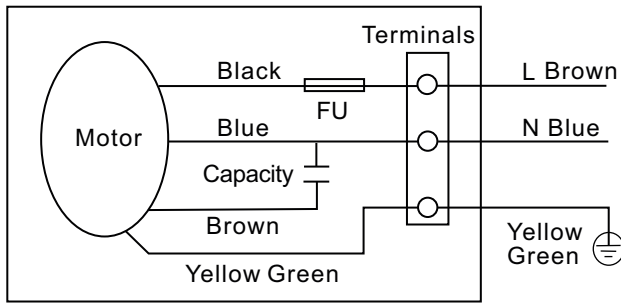
Dimension Information



Model	A	B	C	D	E	Weight (Kg)
DVS 180	184	286	395	288	100	4.4
DVS 300	206	288	407	299	150	4.5
DVS 500	206	288	407	299	150	4.5
DVS 780	270	390	548	420	200	11
DVS 960	270	390	548	420	200	11
DVS 1200	330	470	650	490	250	18
DVS 1900	330	470	650	490	250	35
DVS 3000	330	470	650	490	250	38

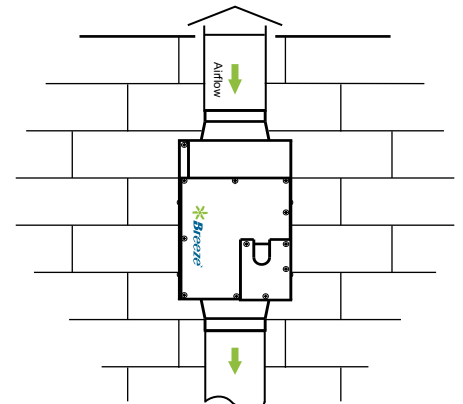
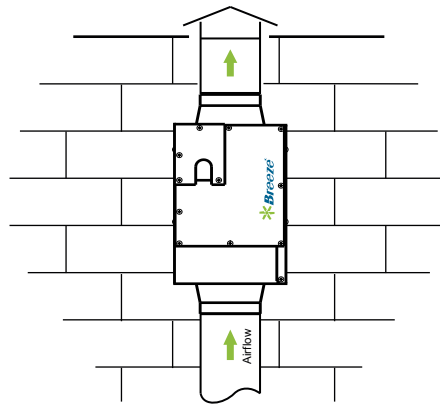
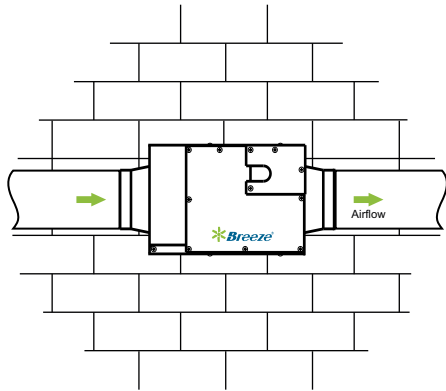
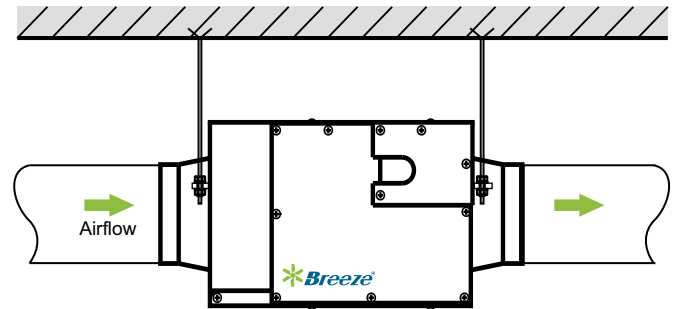
All dimensions in mm.

Wiring Diagram



Installation Method

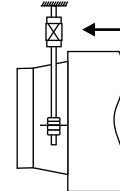
- The fan is designed direct connection to air duct.
- Take care of direction of air flow shown by arrow stickers.
- Apply the markings for mounting of the fixing brackets onto the mounting surface.
- Drill the holes and fasten the fan on the brackets by using appropriate fasteners.
- Install the fan with bolts and nut to the building construction (refer to the right picture).



Install the boom, flat washers, nuts (customer need purchase by yourself, you must use the M8-M10 specifications).



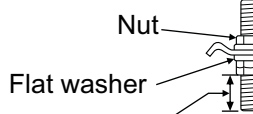
If you need prevent vibration, please use the shockproof rubber (customer need purchase by yourself), its strength must be able to carry this product's weight.



The product of hanging ceiling structure and suspension components must be able to carry more than five times intensity.

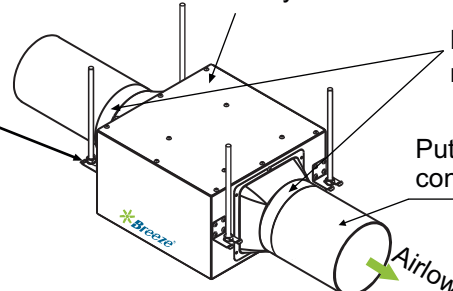
Install firmly bolts and nuts when it hanging down.

Install the bolt



Size A bolt is 2-3 helicoidal than the Nut

Casing to be installed horizontally



Leading to the outdoor air duct must remain slight slope.

Put the bags or canvas connect together