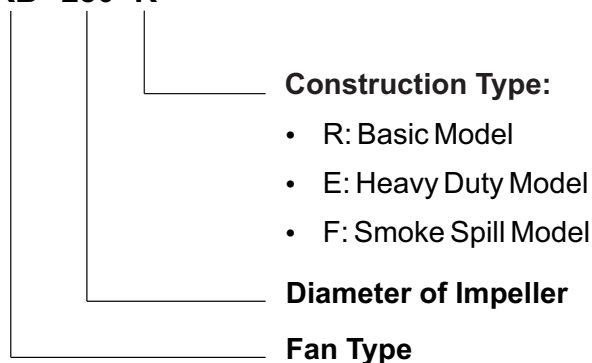


Fan Code

KB 280 R



General Information

Size range from 200mm to 1250mm diameter.

KBF/KBB/KBP series are designed and developed on the basis of advanced technology from United Kingdom. It has the features of high efficiency, low noise, excellent performance, compact structure, easy installation and so on.

KBF-F/KBB-F series are dual purpose fans (standard and smoke spill) they can continuous operate over 0.5 hours when the flue gas temperature reaches 280°C, these fans have been tested by the “National Fire Equipment Quality Supervision and Test Center”. They are new types for high rise buildings for the dual purpose ventilation.

Fan type:

- KBF series: Forward curve double inlet cabinet centrifugal fan.
- KBB series: High efficiency, backward curve double inlet cabinet centrifugal fan.
- KBP series: High efficiency, backward curve single inlet cabinet plug fan.

Fan size:

- KBF Series: 200mm to 1000mm
- KBB Series: 200mm to 1250mm
- KBP Series: 250mm to 1000mm

Construction Information

KBF/KBB/KBP series are mainly constructed of aluminum cabinet frame, fan casing, impeller, frame, bearing, shaft, motor and inlet/outlet flange.

Frame Structure

Channel steel base, not easy to be deformed. Aluminum frame, easy to be installed, strong structure and low weight high quality painted steel plate and cold rolled steel painted with static electronic process can prolong fan life. Fine seam disposition. Low air leakage. The box board is made of foaming technology and sound insulation cotton.

Scientific cabinet design

Save every possible space. Confirm strict tolerance of the parts to meet the precision.

Save every possible space to broaden inlet size which introduces the airstream smoothly.

Motor position and belt length have been arranged without any redundancy.

High quality parts with high reliability.

Human oriented design concept benefits the maintenance work.

Access door designed in both sides and can be opened tool free.

Impeller Data

All the impellers are designed highest peripheral speed and high efficiency.

The forward curve impeller of **KBF** is made of hot galvanized steel.

The backward curve impeller of **KBB/KBP** is made of mild steel, they are welded and epoxy painting.

Stainless steel of impeller can be provided on request.

All the impellers are statically and dynamically balanced to ISO 1940 with G2.5mm/s quality standard.

Motor Data

Motors incorporated are TEFC (Total Enclosed Fan Cooled) and airstream rated to IEC 34-1.

Protected to IP55 with Class F insulation standard.

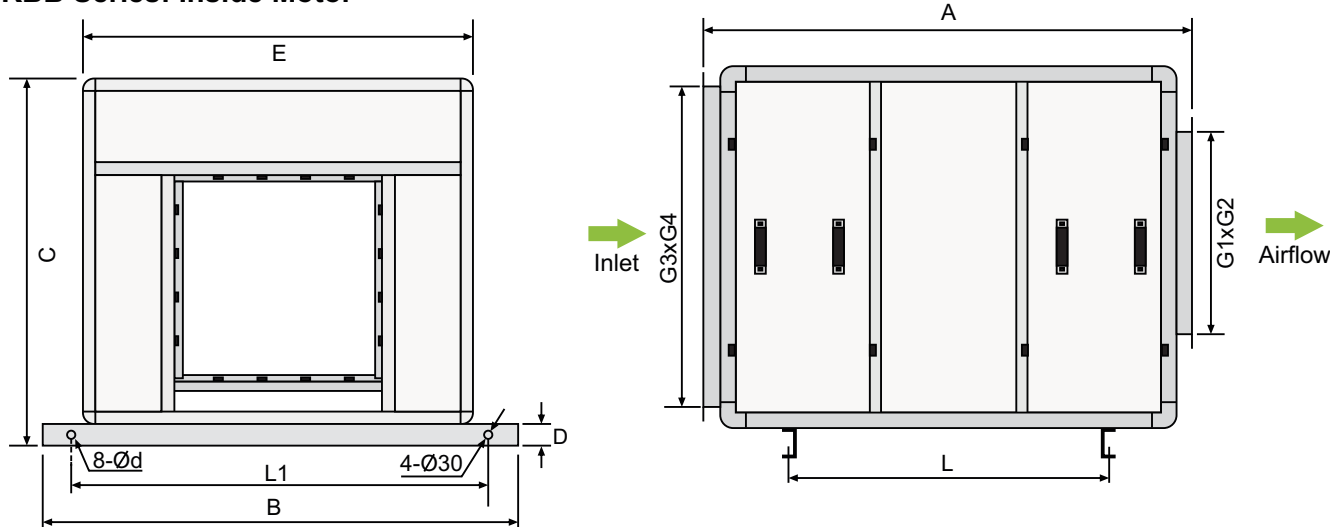
Motors are suitable for speed control by frequency inverter, subject to fan selection.

Available specific for your project requirements such as:

- 220-240V / 380-415V-50Hz

Dimension Information

KBF/KBB Series: Inside Motor



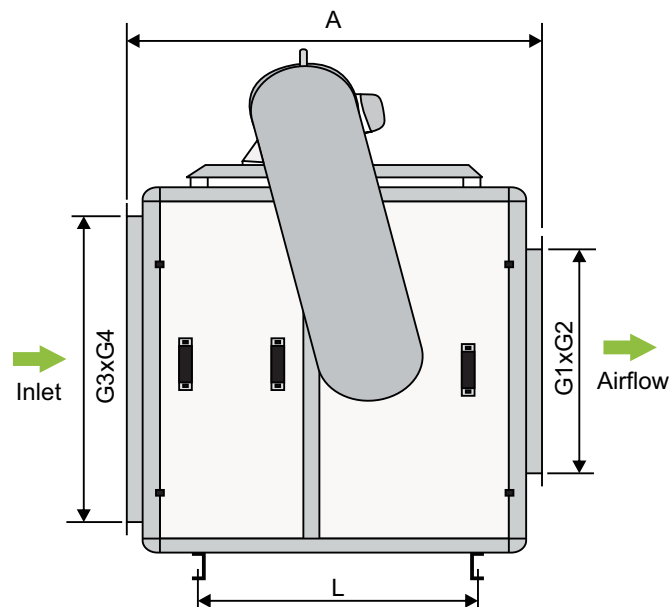
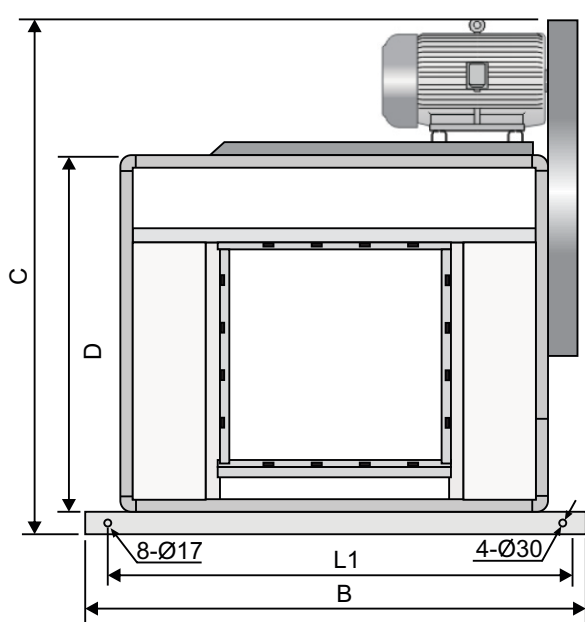
All dimensions in mm.

Model	A	B	C	D	E	G1	G2	G3	G4	L	L1	Ød
KB 200	960	990	625	50	690	256	256	453	568	600	850	15
KB 225	1000	1020	670	50	720	288	288	498	598	650	880	15
KB 250	1050	1050	710	50	750	322	322	538	628	680	910	15
KB 280	1120	1100	813	63	800	361	361	628	678	720	960	15
KB 315	1250	1270	878	63	970	404	404	673	828	850	1130	15
KB 355	1300	1350	953	63	1050	453	453	748	908	930	1210	15
KB 400	1480	1560	1130	80	1260	507	507	908	1118	1060	1420	15
KB 450	1550	1630	1220	80	1330	569	569	998	1188	1100	1470	15
KB 500	1600	1800	1310	80	1400	638	638	1258	1088	1160	1600	15
KB 560	1750	1850	1460	100	1450	715	715	1308	1218	1300	1650	18
KB 630	1880	2000	1590	100	1600	801	801	1458	1348	1320	1794	18
KB 710	2100	2200	1685	100	1800	898	898	1420	1635	1400	2000	18
KB 800	2280	2400	1855	100	2010	1007	1007	1848	1593	1600	2200	18
KB 900	2500	2600	2180	100	2210	1130	1130	2048	1793	1700	2400	18
KB 1000	2650	2750	2210	100	2360	1267	1267	2198	1948	1900	2550	18

* Dimensions shown are approximate only. The details please contact local sales office for more information.

Dimension Information

KBF-F/KBB-F Series: External Motor



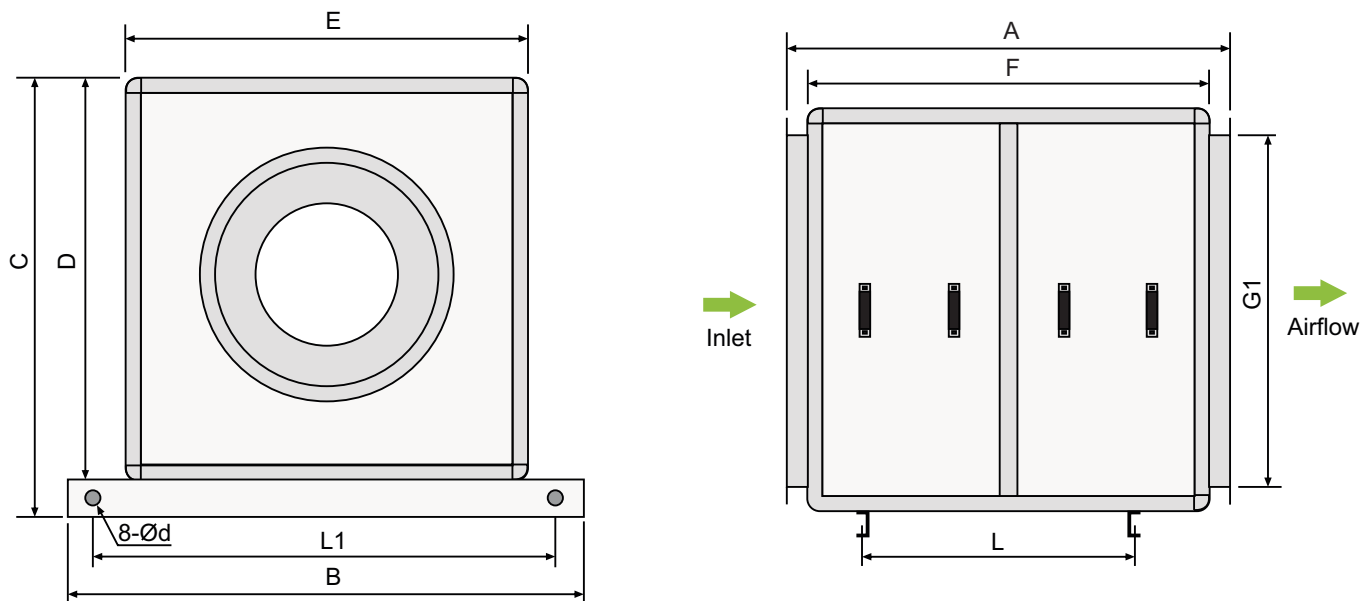
Model	A	B	C									D	L	L1	G1xG2	G3xG4
			Y80	Y90	Y100	Y112	Y132	Y160	Y180	Y200	Y225					
KB 200	610	790	860									540	498	690	256	428x328
KB 225	660	850	900	925								580	543	750	288	465x405
KB 250	710	910	940	960								630	593	810	322	525x455
KB 280	780	980	1020	1040	1070							703	663	880	361	595x515
KB 315	670	1060	1080	1100	1130	1160	1200	1295				763	420	960	404	655x555
KB 355	740	1160	1160	1180	1220	1250	1280	1380	1420			843	488	1060	453	755x635
KB 400	810	1260		1280	1300	1330	1380	1470	1520			930	513	1160	507	855x708
KB 450	890	1400		1360	1400	1430	1480	1570	1610	1660		1030	581	1300	569	978x808
KB 500	960	1520		1460	1500	1520	1570	1650	1700	1750		1120	650	1420	639	1095x895
KB 560	1060	1680		1600	1640	1660	1710	1800	1850	1900		1265	745	1580	715	1235x1020
KB 630	1160	1830			1760	1790	1830	1930	1970	2030		1390	846	1730	801	1385x1145
KB 710	1300	2020				1930	1970	2060	2110	2160	2210	1530	902	1920	898	1555x1265
KB 800	1430	2220					2140	2230	2270	2330	2380	1700	1030	2120	1007	1955x1435
KB 900	1610	2450					2290	2380	2425	2480	2535	1850	1166	2350	1130	1985x1585
KB 1000	1740	2700					2450	2540	2590	2640	2690	2010	1302	2600	1267	2235x1745

All dimensions in mm.

* Dimensions shown are approximate only. The details please contact local sales office for more information.

Dimension Information

KBP Series



Model	A	B	C	D	E	F	G1	H	L	L1	Ød
KBP 250	582	790	563	500	500	500	380	135	360	660	14
KBP 280	612	820	593	530	530	530	408	135	370	690	14
KBP 315	682	890	663	600	600	600	478	135	440	760	14
KBP 355	702	910	683	630	630	630	790	135	460	780	14
KBP 400	755	970	743	680	680	680	538	138	505	840	14
KBP 450	855	1080	860	780	780	780	638	155	590	940	14
KBP 500	975	1200	980	900	900	900	758	155	710	1060	14
KBP 560	1035	1260	1040	960	960	960	810	160	770	1120	14
KBP 630	1085	1310	1090	1010	1010	1010	868	160	810	1170	14
KBP 710	1205	1430	1230	1130	1130	1130	968	190	850	1290	14
KBP 800	1325	1550	1350	1250	1250	1250	1088	190	930	1410	14
KBP 900	1472	1700	1500	1400	1400	1400	1238	190	1060	1560	18
KBP 1000	1625	1850	1650	1550	1550	1550	1388	190	1150	1710	18

All dimensions in mm.

* Dimensions shown are approximate only. The details please contact local sales office for more information.

Installation Guide

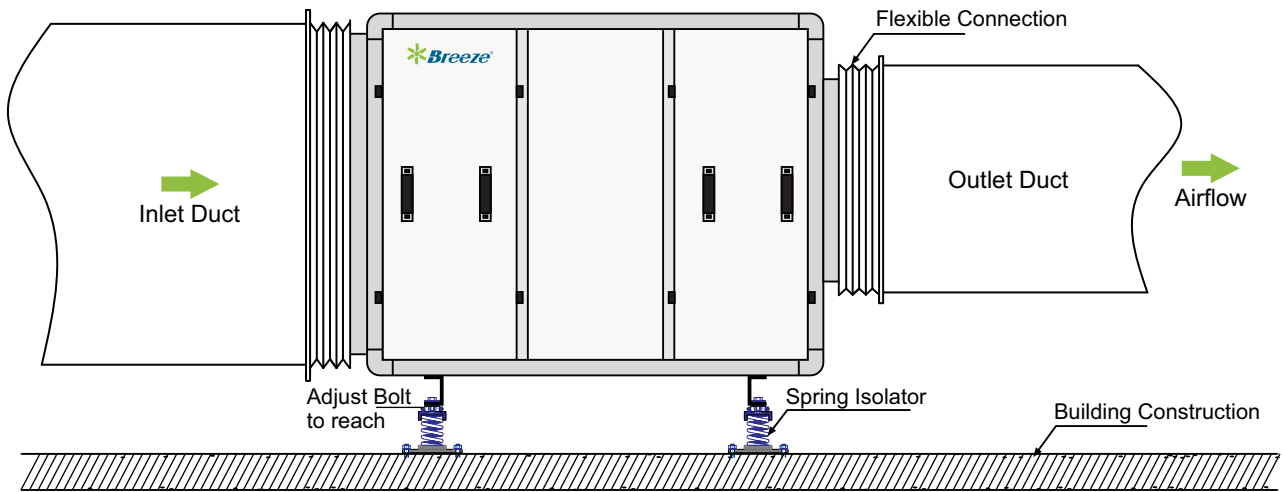


Fig 01. Mounting type

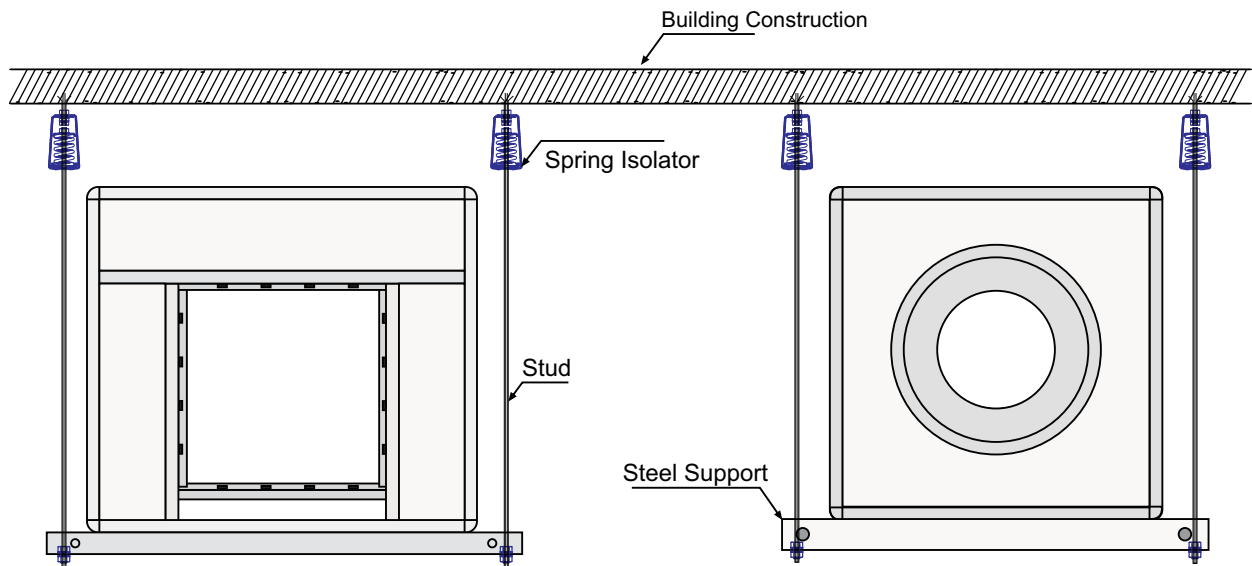


Fig 02. Hanging type

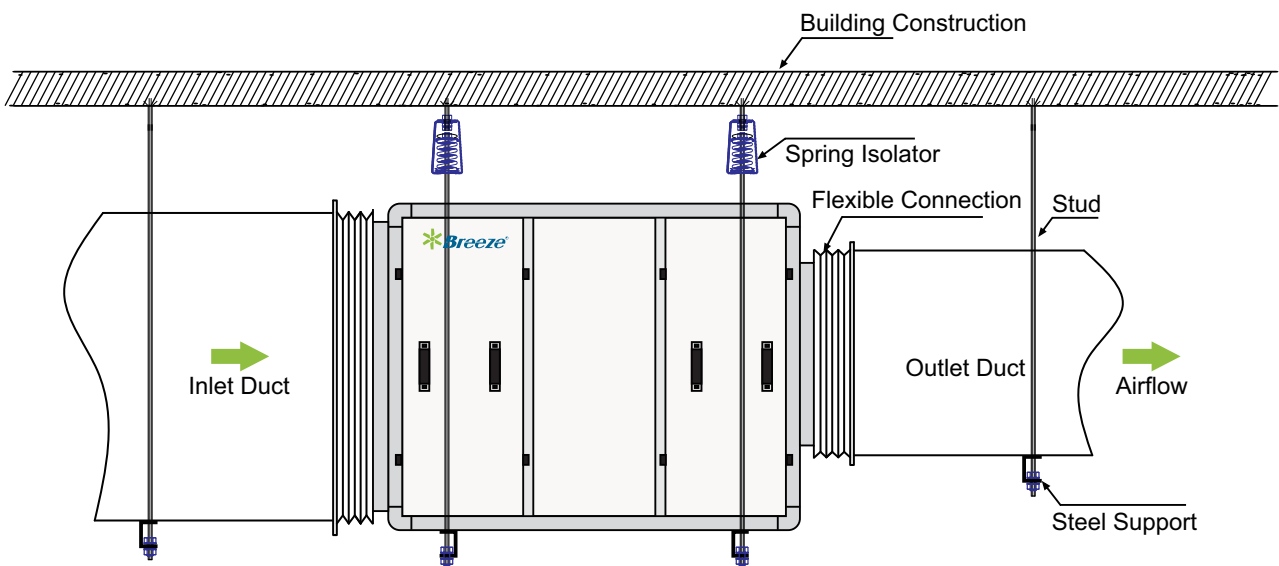


Fig 03. Hanging type