



Feature

- High or low speed operation.
- High efficiency.
- Low noise.
- Easy installation, service and clean.
- Compact design.
- Speed controllable with VA controller.
- Fitted with terminal box on the casing.
- Strong and durable.
- Light weight.
- Can be installed directly on the wall.
- Standard motor range is protected to IP 44, class B insulation.

General Information

MFD series use a mixed flow inline fan with two speeds motor as standard and exceptionally low noise level design. The idea solution for medium demand ventilation in commercial and residential systems. Application suitable for bathroom, bedroom, office, living room, store, toilets, hotels, etc. Suitable for room to room air transfer and supply or exhaust ventilation.

Construction Information

The casings are made from injection moulded ABS polymer.

The range is fitted with mixed flow impeller driven by long life motor sealed for life bearing.

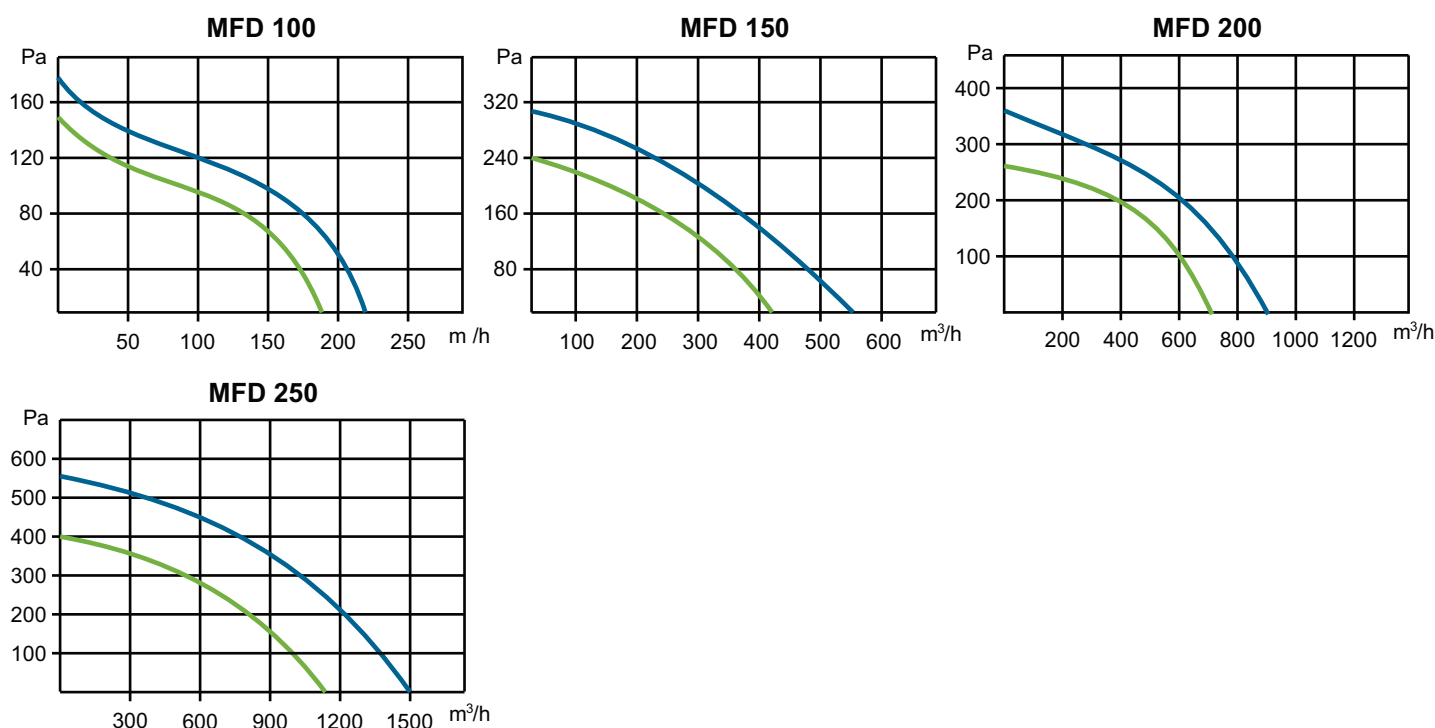
The motor is made of 100% copper coil and fitted with high quality ball bearing, high efficiency, low noise, maintenance free and long service life. Equipped with thermal overload protection.

Testing

The performance has been tested in accordance with ISO 5801. The sound data has been determined by testing to ISO 13347-2. The fans have passed QCVN 04:2009/BKHCN and TCVN 5699-2-80:2007 (IEC 60335) standard for electric safety.

Performance Curve

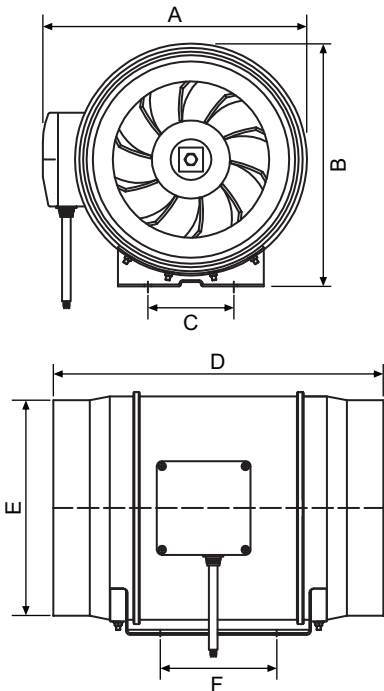
H: █ L: █



Performance Parameters

Model	Max. Air Volume (m ³ /h)	Max. Pressure (Pa)	Power (W)	Current (A)	Speed (rpm/min)	Voltage (V/P/Hz)	Noise dBA (at 3m)
MFD 100	H: 220	180	28	0.12	2500	220/1/50	48
	L: 185	150	25	0.11	2127		40
MFD 150	H: 550	300	50	0.21	2500	220/1/50	52
	L: 410	240	40	0.18	2000		44
MFD 200	H: 900	350	70	0.30	2500	220/1/50	57
	L: 700	250	60	0.25	2100		49
MFD 250	H: 1500	550	170	0.75	2500	220/1/50	63
	L: 1100	400	130	0.58	1850		55

Dimension Information



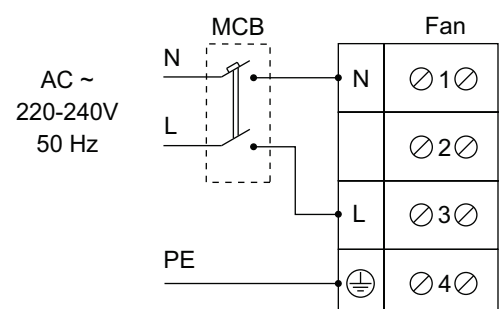
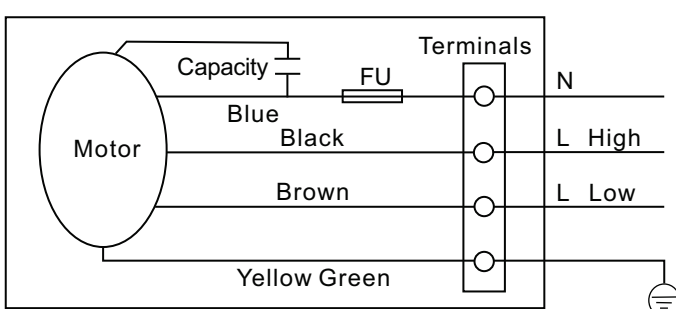
Model	A	B	C	D	E	F	Weight (Kg)
MFD 100	215	184	60	300	100	62	2.0
MFD 150	240	212	70	295	150	72	2.5
MFD 200	260	230	85	305	200	78	3.5
MFD 250	300	290	92	385	250	119	7.5

All dimensions in mm.

Wiring Diagram

- Check that supply is according to data on nameplate.
- Insert cable according to the instructions in the junction box and seal it.

- The equipment connected ground for motor protection according to the instructions - Unless the guarantee isn't accepted.
- Connect electric supply.



Installation Method

- The fan is suitable both for horizontal or vertical mounting on the wall or on the ceiling (Fig. 01- 03) as one unit or included into connected in parallel or in series sets (Fig. 04, 05).
- In case of the horizontal fan mounting install a straight air ducts segment on side of the intake vent not less than 1m.

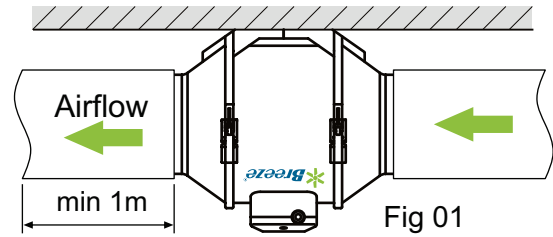


Fig 01

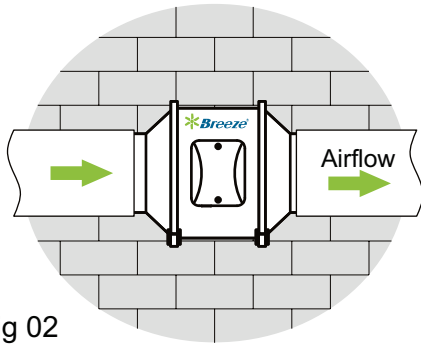


Fig 02

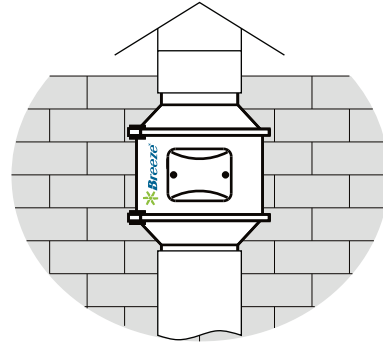


Fig 03

- In case of the vertical fan mounting install an outer hood to prevent water ingress inside the fan.
- The exhaust spigot must be connected to the air duct.
- The fan mounting sequence is shown in Fig. 06 - 12.

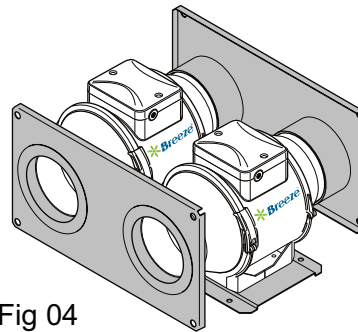


Fig 04

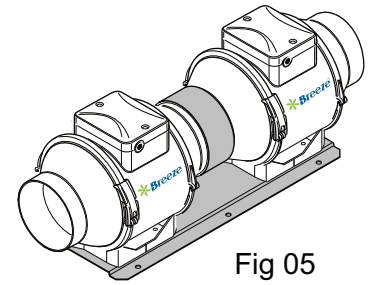


Fig 05

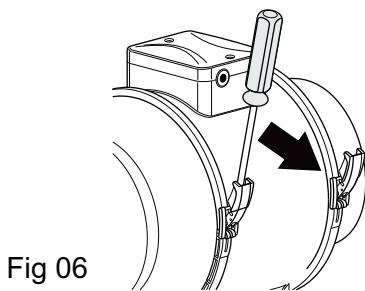


Fig 06

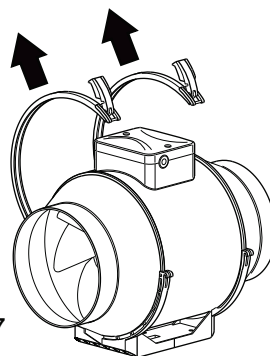


Fig 07

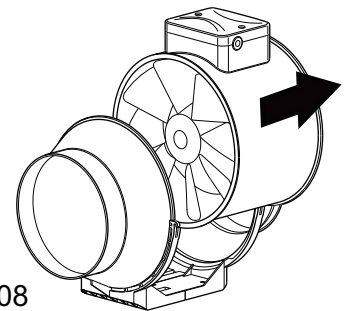


Fig 08

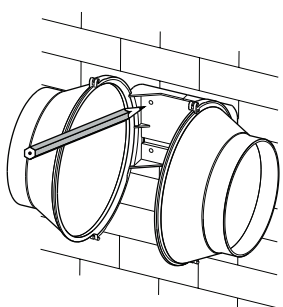


Fig 09

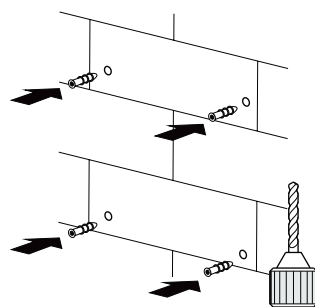


Fig 10

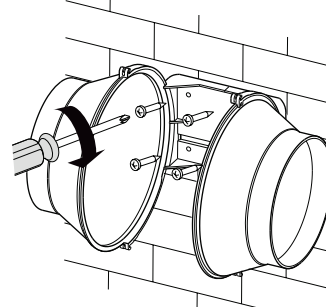


Fig 11

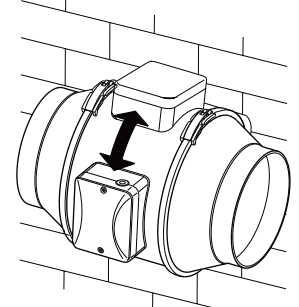


Fig 12