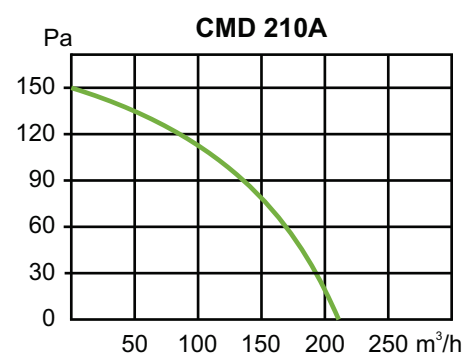
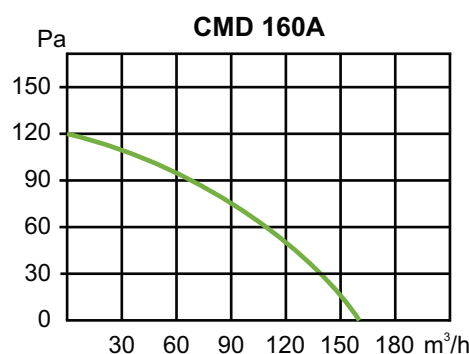
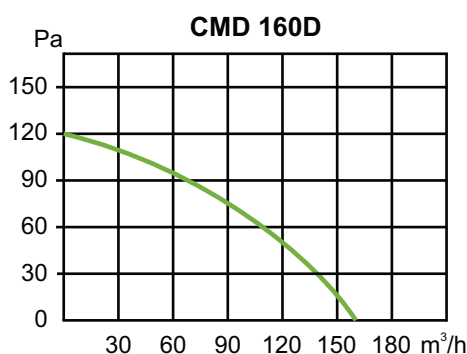




Feature

- High efficiency.
- Energy saving.
- Low noise levels.
- Easy installation, service and clean.
- Waterproof motor.
- Valve one-way.
- Be able to speed controllable.
- Compact design.
- Excellent for use with short run ducting.
- Fits into tight space.
- Standard motor range is protected to IP 44, class B insulation.

Performance Curve



Performance Parameters

Model	Max. Air Volume (m³/h)	Max. Pressure (Pa)	Power (W)	Speed (rpm/min)	Voltage (V/P/Hz)	Noise dBA (at 3m)	Installation (mm)	Weight (Kg)
CMD 160D	160	120	6	900	220/1/50	28	240x240	4.0
CMD 160A	160	120	22	1020	220/1/50	29	210X210	3.0
CMD 210A	210	150	30	1020	220/1/50	33	240X240	3.5

General Information

The CMD series is designed luxury half metal of ceiling exhaust fan which use as ducted and unducted ceiling mounted extractions. This style of fan is commonly used in bathroom, bedroom, office, living room, store, toilets, hotels and general exhaust applications.

The CMD series are offered with motor types:

- CMD-A series: AC motor.
- CMD-D series: DC motor.

Construction Information

The casing is made from half metal and powder coated.

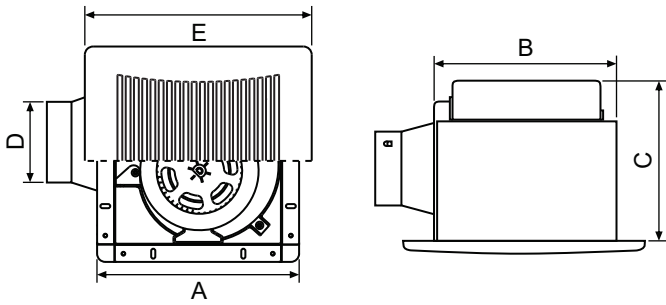
The fans are fitted with high efficiency forward curve centrifugal impeller driven with sealed for by long life bearing.

The motor is made of 100% copper coil and fitted with high quality ball bearing, high efficiency, low noise, maintenance free and long service life. Equipped with thermal overload protection.

Testing

The performance has been tested in accordance with ISO 5801. The sound data has been determined by testing to ISO 13347-2. The fans have passed QCVN 04:2009/BKHCN (IEC 60335) standard for electric safety.

Dimension Information

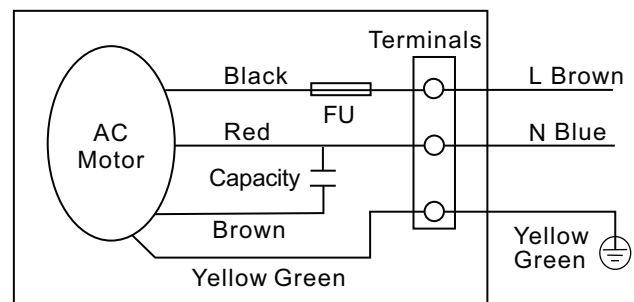
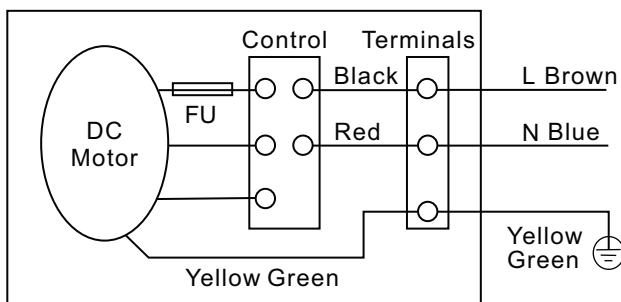
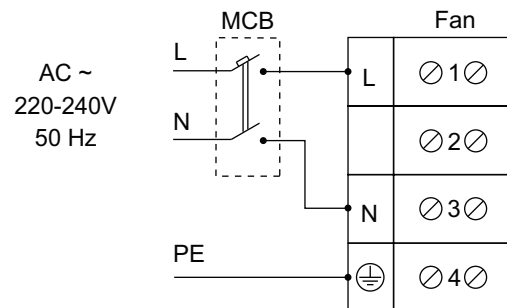


Model	A	B	C	D	E
CMD 160D	270	230	185	100	300
CMD 160A	245	205	185	100	275
CMD 210A	270	230	185	100	300

All dimensions in mm.

Wiring Diagram

- Check that supply is according to data on nameplate.
- Insert electric wire according to the instructions in the terminal box.
- The equipment connected ground for motor protection according to the instructions.
- Connect electric supply.



Installation Method

- Make a wooden frame and fix it on to the ceiling as picture reference.
- Install and enclose the fan casing in the wooden frame, and then fix it up firmly with 04 self-tapping screws.
- Connect the pipeline with the main part, and make it well-sealed with the self-adhesive tape (bandage). (Fix the ventilating pipeline onto the ceiling, keeping the ventilating pipeline straight, without burden on the main part) no burden on the pipeline.
- After connecting the power supply, turn on the switch, check whether there is abnormal condition, and then place spring in the slot hole to fix the panel.
- We must prevent the gas from the open airway or other firing equipment from back flowing into the room.

